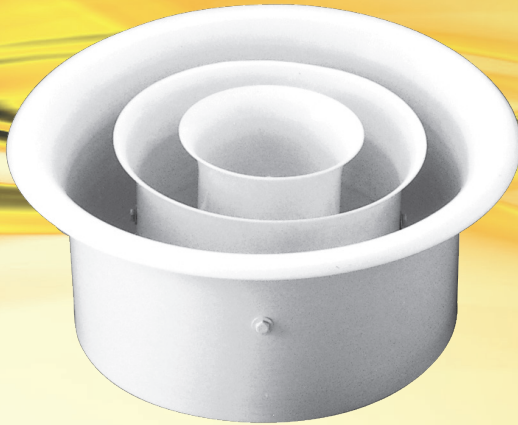


CK Jet Diffuser



ASLI CK Jet Diffusers are made out of a fixed outer frame and adjustable concentric rings, which specially designed for high volume and long throw applications. The concentric rings can be adjusted 45° upward and downward or leftward and rightward depending on the installation position to control the direction of airflow. CK jet diffusers are suitable to be installed on exposed ductwork or surface mounted in stadium, factory, theatre and etc.

Materials

CK-A

Outer frame : Aluminum

Concentric rings : Aluminum

Surface Finish

Baked white powder coated as standard.

Standard Sizes

150 / 200 / 250
300 / 350 / 400

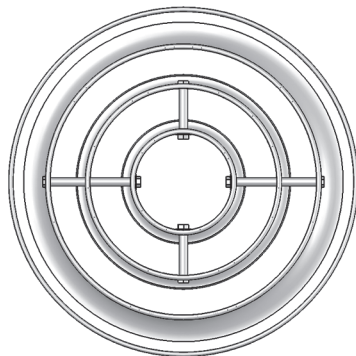
Features

- Economical.
- Long throw capability.
- High air flow capability.
- Suitable for exposed ductwork or surface mounted.
- Suitable for ceiling or wall installation.
- Air flow direction is adjustable up to 45° upward and downward or leftward and rightward.

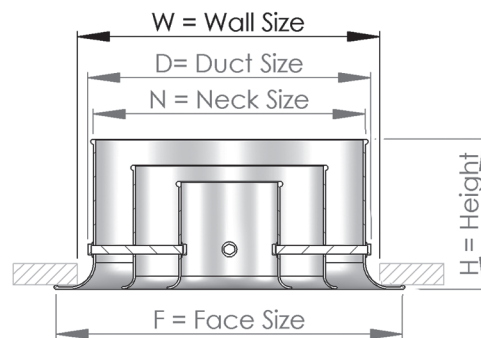
Accessories

C1 Radial fan blade damper
HDR-T Round volume control damper

CK Physical Dimension *Unit : mm*



Top View

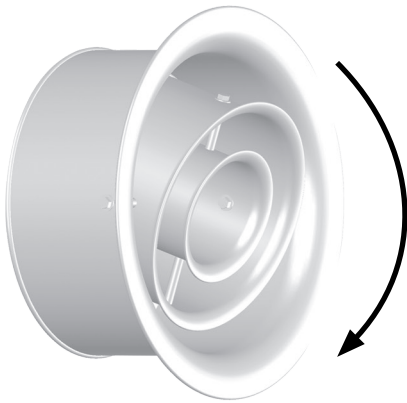


Section View

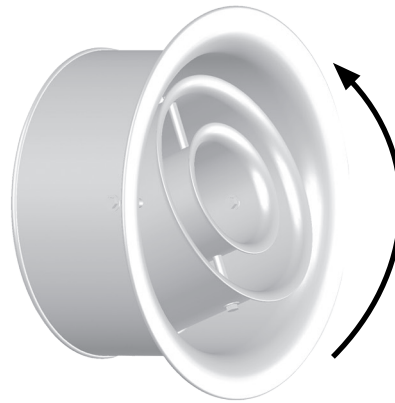
Size	N	D	W	F	H
150	144	154	164	214	95
200	194	204	214	264	115
250	240	250	260	314	139
300	286	296	306	371	163
350	345	355	365	420	200
400	390	400	410	470	216

CK Jet Diffuser

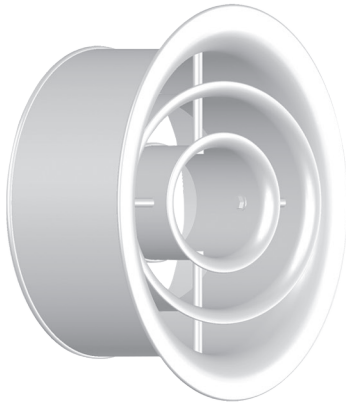
CK Suggested Specification



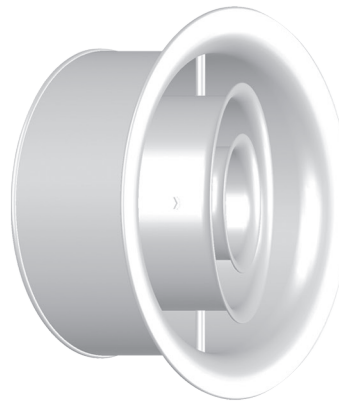
Pointing downwards



Pointing upwards



Pointing towards left

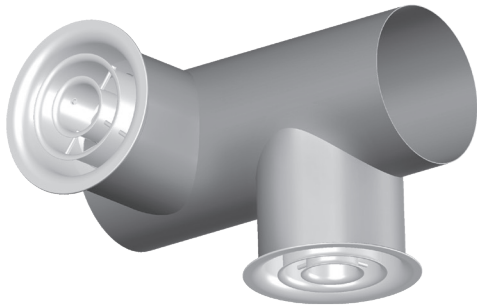


Pointing towards right

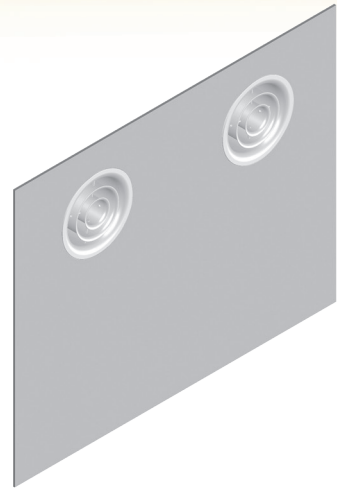
The direction of the airflow has to be predetermined before installation. If the airflow direction is upwards or downwards, the diffuser has to be installed with circular support shaft placing horizontally. If the airflow direction is leftward or rightward, the diffuser has to be installed with circular support shaft placing vertically.

CK Jet Diffuser

CK Installation

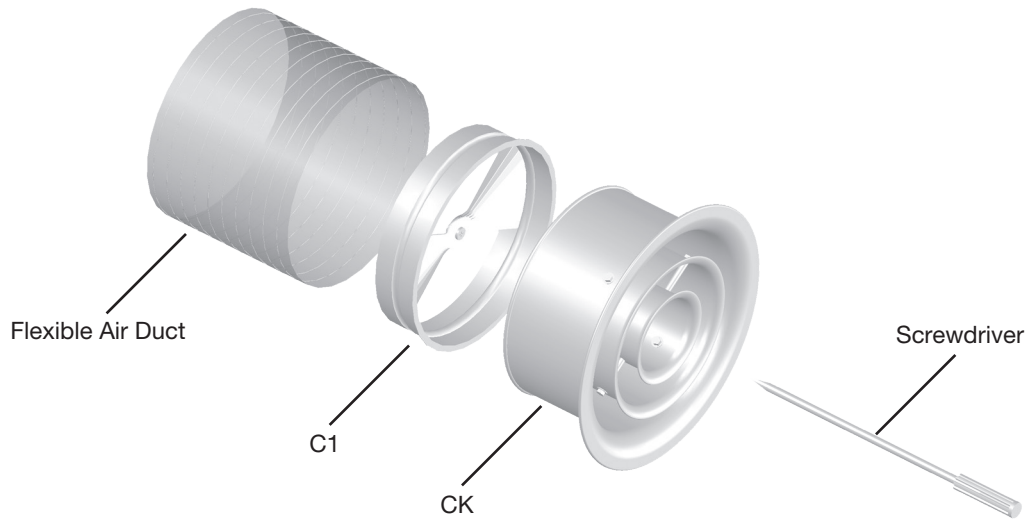


Ductwork mounted



Wall or ceiling mounted

Radial blade damper (C1) can be installed at the rear of CK to adjust the air flow rate. CK could be connected to a flexible duct. The opening of the C1 can be adjusted by a screwdriver from the face of the CK.



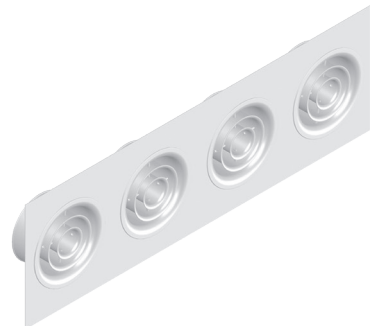
CK could be mounted on a panel and supplied as a unit.



Two CK panel



Three CK panel



Four CK panel

CK panel could be installed on the wall or ceiling.

CK Jet Diffuser

CK-A jet diffuser shall be suitable for throw of 10 meters distance with optimum acoustic properties. The outer frame and concentric rings shall be made of 1.0mm thickness aluminum sheet roll formed. The concentric rings shall be adjustable with 45° deflection upward or downward without using any tools. The concentric rings shall be connected to the outer frame with two circular shafts in one axis. The concentric rings shall be connected to each other with two circular shafts in an axis, which is perpendicular to the shafts connected to the outer frame. The concentric rings shall have an aerodynamic profile to diffuse the air. The outer frame shall be detachable from the concentric rings with simple tools. The diffuser shall be epoxy coated and furnished to architectural requirement.

CK Air Flow Performance Data

Neck Size (mm)	Neck Area (m ²)	Nozzle Vel. (m/s)	2.0	3.0	4.0	5.0	6.0	7.0	8.0	10.0
		Tot. Press (mmAq)	0.7	1.5	1.7	2.5	3.1	4.7	6.5	8.4
150	0.0177	CMH	127	191	254	318	382	445	509	636
		Throw (m)	2.6	4	5.5	6.8	8.2	9.6	11	15.2
		NC	-	120	24	30	37	43	47	50
200	0.0314	CMH	226	339	452	565	679	792	905	1131
		Throw (m)	3.8	5.6	7.4	9.2	11	13	14.7	20.5
		NC	-	20	24	30	37	43	47	50
250	0.0491	CMH	353	530	707	884	1060	1237	1414	1767
		Throw (m)	4.6	7	9.5	11.6	13.8	16.2	18.5	25.4
		NC	-	-	22	27	32	36	40	44
300	0.0707	CMH	509	763	1018	1272	1527	1781	2036	2545
		Throw (m)	5.6	8.4	11.2	14	16.8	19.5	22.2	31
		NC	-	-	23	27	32	36	40	44
350	0.0962	CMH	693	1039	1385	1732	2078	2425	2771	3464
		Throw (m)	6.5	9.6	13	16.3	19.5	22.6	25.6	35.5
		NC	-	-	24	28	34	37	41	45
400	0.1257	CMH	905	1357	1810	2262	2714	3167	3619	4524
		Throw (m)	7.4	10.8	15.2	18.8	22.4	26.4	29.4	33.1
		NC	-	-	25	28	35	37	42	46

- Throw is based on terminal velocity of 0.25m/s
- Throw is based on isothermal condition
- NC value is based on room absorption of 10dB, re 10⁻¹² watts
- Dash (-) in space indicates NC value less than 20
- The performance data is tested in zero degree deflection in axial installation (wall installation)

CK Order Code

Model	Material	Accessories	Size
CK	A	C1	150 / 200 / 250 / 300 / 350 / 400

Example : CK - A + C1 - 150