

DC Duct Collar

Material

- DC-T: 0.5mm Galvanized Steel.

Surface Finish

- Mill Finish.

Features

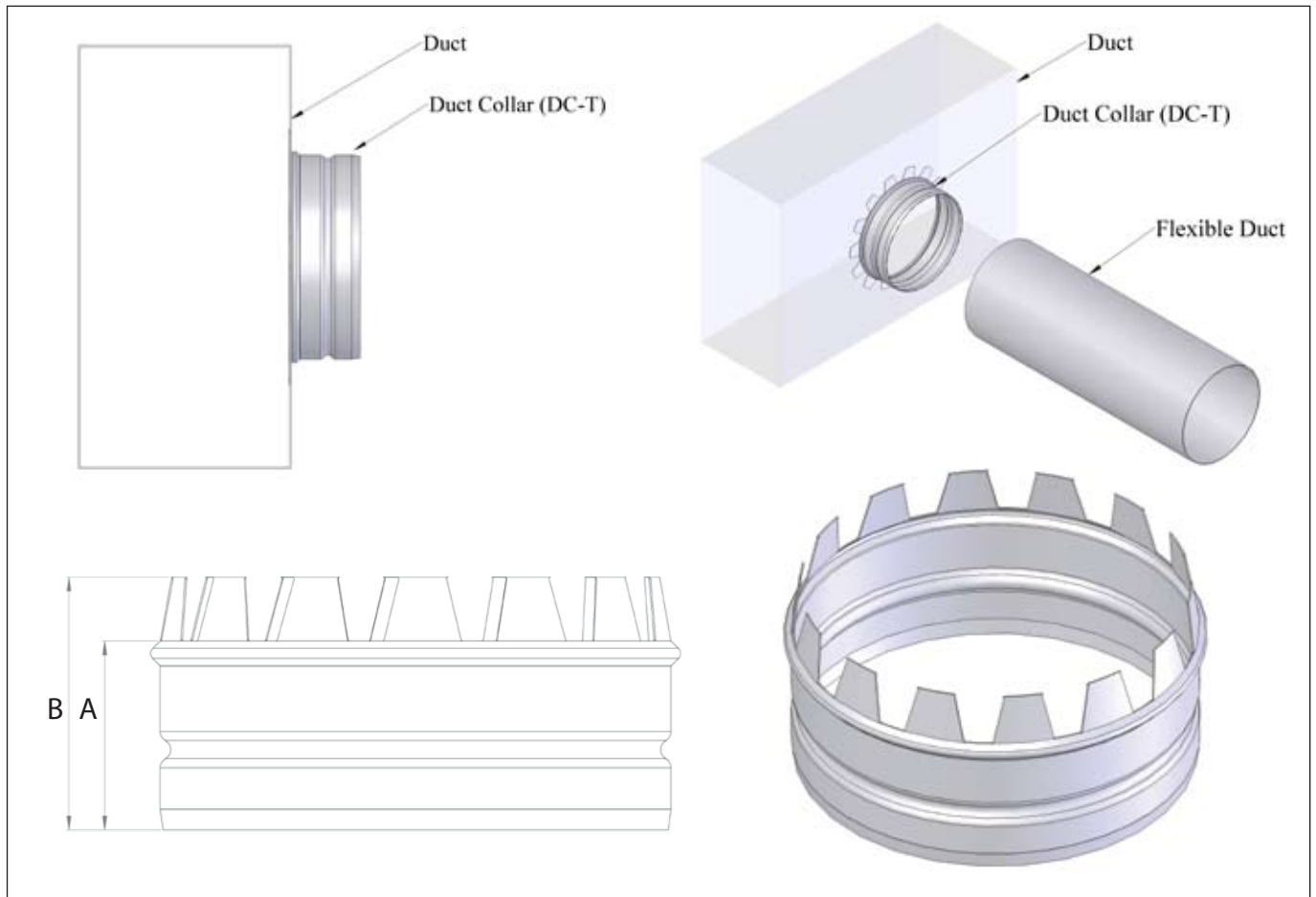
- Used as connection between ductwork and flexible duct.
- Hassle-free design and for easy installation.
- High quality with low cost.

Standard Sizes (D)

- Ø100mm, Ø150mm, Ø 200mm, Ø250mm, Ø300mm, Ø350mm, Ø400mm



DC Construction Illustration



DC-T Models and Dimensions

Model	A (mm)	B (mm)
DC-T-01	50	75
DC-T-02	100	125