

T5NM Modulating Control Actuator (2-5Nm)

■ Description

ASLI is proud to offer the M5Nm series of damper actuators designed specifically applications into the HVAC market, or light Industrial market and telecommunication module.

ASLI high quality damper actuators have been designed for use with air damper, VAC, butterfly valve, characterized ball valve and globe valve with the use of special adapter.

■ Product Features

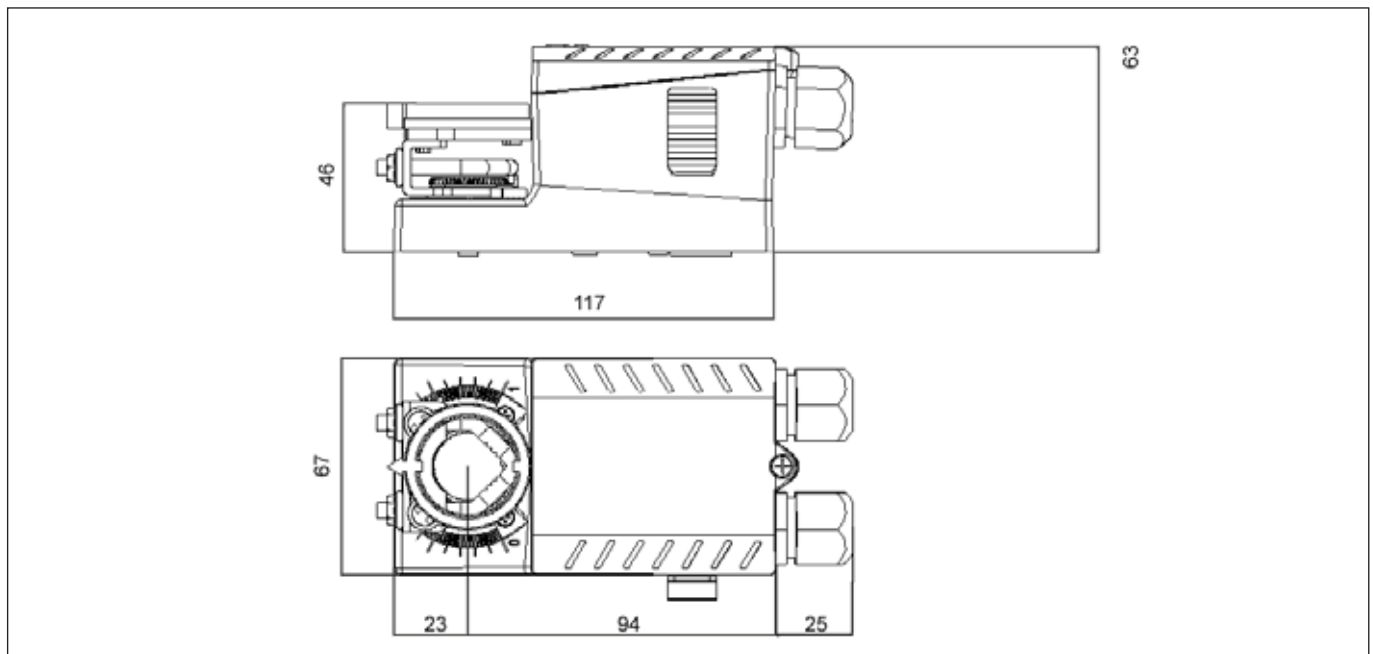
- Torque 5 Nm.
- Nominal voltage 24VAC/VDC, 230VAC.
- Universal adapter for easy direct mounting.
- Shaft dimension Ø6...16 mm /8...12 mm square.
- 40 mm minimum shaft length.
- Anti-rotation bracket provided for stability.
- Manual over ride by push button when required.
- Selectable direction of rotation CW/CCW.
- Adjustable angle of rotation, mechanical end stops.
- 0(2)...10 VDC , 0(4)...20mA input signal.
- 0(2)...10 VDC feedback output signal.
- Actuators available with 1meter cable connection.
- Customised version available, on request.
- High efficiency brushless dc motor.
- Consistent and precise torque.
- Reliable, life cycle up to 100000 rotations.
- Small size and powerful.
- Extended torque limit.



■ T5NM Model Selection Table

Torque	Running Time	Power Supply	Auxiliary Switches	Model/Type
5 Nm	150 sec	24VAC/DC	NO	T5Nm-X24.L1
Maximum torque : 7.5Nm		230VAC	NO	T5Nm-X230.L1

■ T5NM Actuator Dimensions Unit:mm



T5NM Modulating Control Actuator (2-5Nm)

■ T5NM Technical Specification

	T5NM-X24	T5NM-X230
Torque	5 Nm	5 Nm
Power supply	24 VAC	230 VAC / VDC
Frequency	50...60 Hz	50...60 Hz
Maximum Torque	7.5 Nm	7.5 Nm
Power consumption		
- Operating	1 W	1 W
- At the end stops	0.2 W	0.2 W
Protection class	II (for 24 V and 230 V)	II (for 24 V and 230 V)
Input control signals 5	DC 0(2)...10 V	DC 0(2)...10 V
Output control signals 6	DC 0(2)...10 V	DC 0(2)...10 V
Angle of rotation	90° / 95° mechanical	90° / 95° mechanical
Angle limiting	0°...90°	0°...90°
Weight approx.	350g	350g
Life cycle	100000 rotation	100000 rotation
Sound level	Max. 40 dB (A)	Max. 40 dB (A)
IP protection	IP54 (with cable), IP42(without cable)	IP54 (with cable), IP42(without cable)
Ambient temperature	-30°C~150°C	-30°C~150°C
Ambient humidity	≤ 95% rH	≤ 95% rH
Inventory temperature	-40°C ~+80°C	-40°C ~+80°C
Maintenance	maintenance free	maintenance free
Certification	CE and ISO 9000 EN ... Requirements	CE and ISO 9000 EN ... Requirements
Covering material	ABS Project Plastic	ABS Project Plastic
Board material	Galvanised Plate	Galvanised Plate

■ T5NM Wiring Diagram

