

## T10NM/T20NM 2-Point And 3-Point Control Actuator

### Description

- The ASLI damper actuators are especially designed and produced for applications into the HVAC market.
- Our wide range of ASLI actuators have been developed to operate air dampers in different sizes and as well ball valves.

### Product Features

- Nominal voltage AC/DC 24 V and AC 230 V.
- Control 2 point and 3 point.
- 1 adjustable auxiliary switch (SPDT).
- Shaft dimension Ø 10...16 mm /5...11 mm □square.
- Selectable direction of rotation.
- Adjustable angle of rotation.
- Actuator available with 1m cable connection.
- Customised version on request.
- Small size and powerful.
- High efficiency brushless dc motor.
- 2 speed in various application (high speed : 75s/low speed: 150s)
- Consistent and precise torque.
- Reliable, life cycle up to 100000 rotations.



T10NM



T20NM

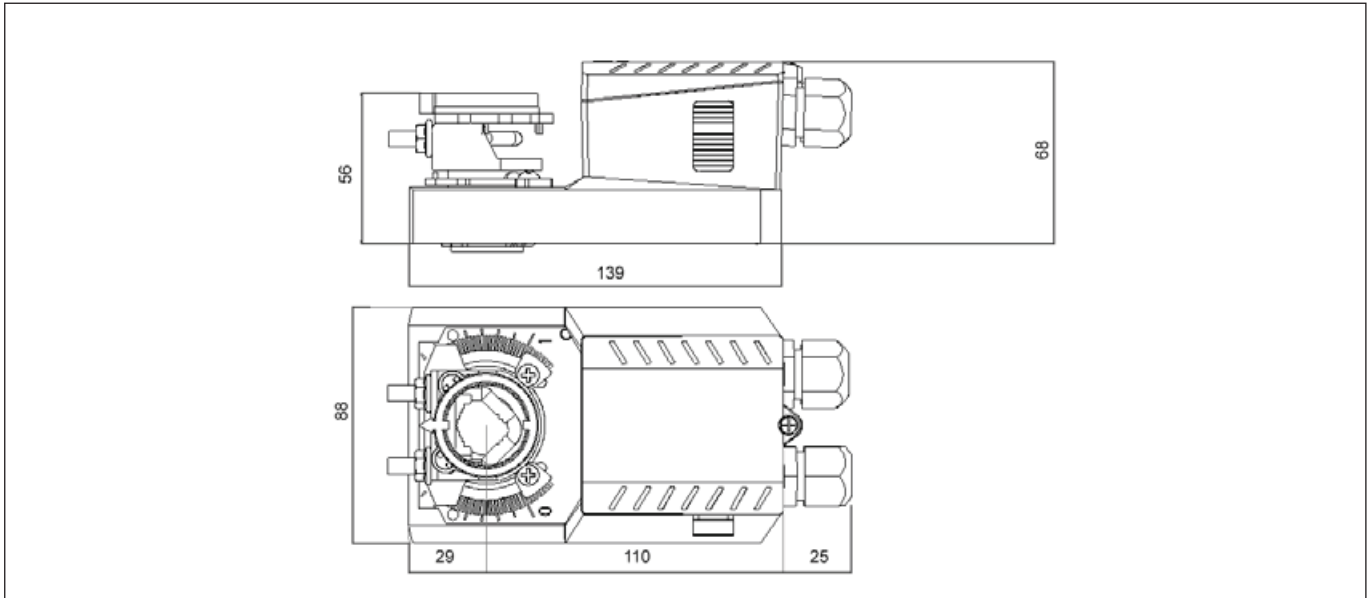
### T10NM/T20NM Model Selection Tab

Torque	Running Time	Power Supply	Model/Type	Auxiliary Switches
10 Nm Maximum torque 15 Nm	High speed 100s/95° Low Speed 150s/95°	24 (VAC / VDC)	ASLI-T10NM-D24-F2.L1	1 x SPDT
			ASLI-T10NM-D24-.L1	No
230 VAC		ASLI-T10NM-D230-F2.L1	1 x SPDT	
		ASLI-T10NM-D230.L1	No	
20 Nm Maximum torque 30 Nm		24 VAC/VDC	ASLI-T20NM-D24-F2.L1	1 x SPDT
			ASLI-T20NM-D24.L1	No
	AC 230 V	ASLI-T20NM-D230-F2.L1	1 x SPDT	
		ASLI-T20NM-D230.L1	No	

The performance specifications above are nominal and subject to tolerances and application variables of generally acceptable industry standards. ASLI shall not be liable for damages resulting from misapplication or misuse of its products.

## T10NM/T20NM 2-Point And 3-Point Control Actuator

### ■ T10NM/T20NM Actuator Dimensions Unit:mm



### ■ T10NM/T20NM Technical Specification

	M10Nm-D24/M10Nm-D230	M20Nm-D24/M20Nm-D230
Torque	10 Nm	20 Nm
Power supply	24VAC±15% / 230VAC±15%	24VAC±15% / 230VAC±15%
Frequency	50-60 Hz	50-60 Hz
Power consumption		
- Operating	1.5 W	2 W
- At the end stops	0.2 W	0.2 W
For wire sizing	6.5 VA	6.5 VA
Protection class	II	II
Control signals	2 point / 3 point	2 point / 3 point
Angle of rotation	90° (95° mechanical)	90° (95° mechanical)
Weight Approx.	800g	800g
Life cycle	100,000 rotation	100,000 rotation
Sound level Approx.	Max. 40 dB(A)	Max. 40 dB(A)
IP protection	IP54 (with cable), IP42(without cable)	IP54 (with cable), IP42(without cable)
Ambient temperature	-30°C ~ +50°C	-30°C ~ +50°C
Inventory temperature	-40°C ~ +80°C	-40°C ~ +80°C
Ambient humidity	≤ 95%RH(40°C)	≤ 95%RH(40°C)
Maintenance	maintenance free	maintenance free
Certification	CE and ISO 9000	CE and ISO 9000
Couring material	ABS Project Plastic	ABS Project Plastic
Board material	Galvanised plate	Galvanised plate
Running speed	High speed:100s/low speed:150s	High speed:100s/low speed:150s

## T10NM/T20NM 2-Point And 3-Point Control Actuator

### ■ T10NM/T20NM Wiring Diagram

