

## B Type T-Bar Ceiling Frame

### Materials

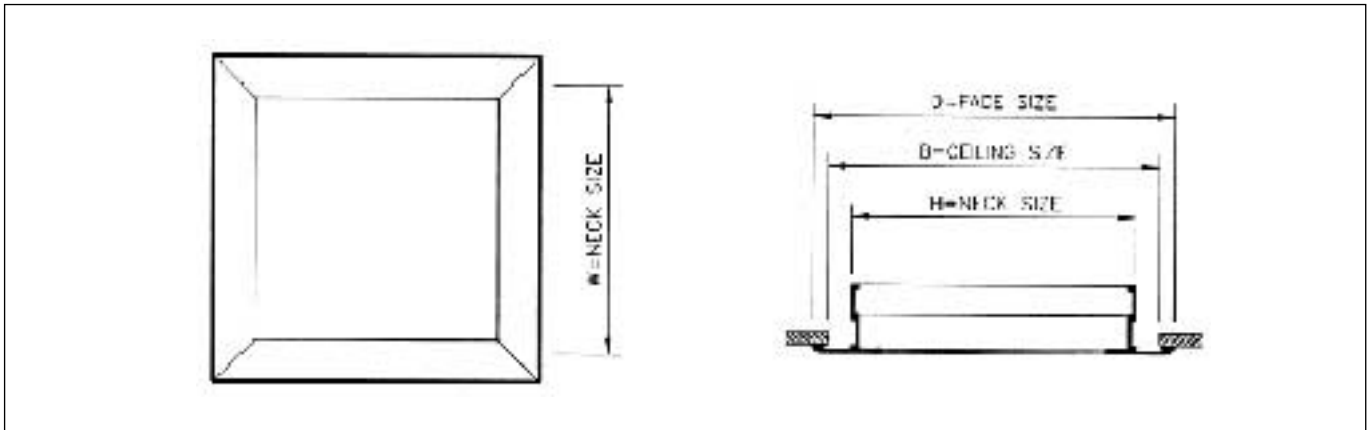
- B-A Extruded aluminium A6063.

### Features

- Baked white powder coat or natural anodized.
- They are constructed of extruded aluminium and intended to be used as removable frame for the mounting of various types of diffusers.
- They are normally used in non T-bar ceiling suspension systems.
- Not applicable for wall mounted grilles.
- When mount at ceiling, the grille or diffuser will rest on the B type T-bar ceiling frame.



### B Type Construction Illustrations

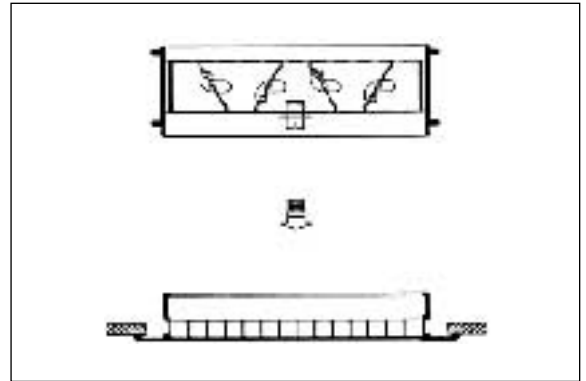


### B Type Physical Dimension Unit:mm

Model	Materials	Thickness	W x H	B Ceiling Size	D Face Size	Order Key
B-A	Extruded Aluminium A6063	12	To suit grilles or diffusers	W+10 H+10	W+30 H+30	$\frac{B}{\text{Model}} - \frac{A}{\text{Materials}} - \frac{600}{W} \times \frac{600}{H}$

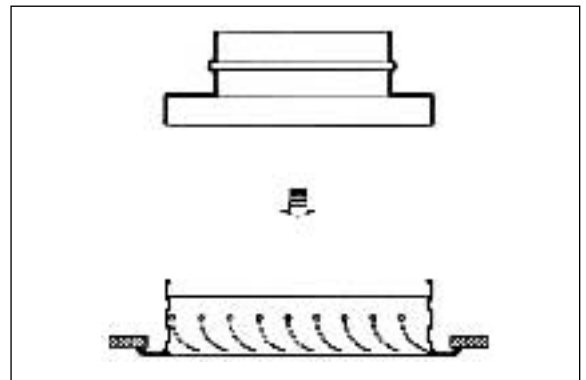
## Return Air Grille + G1 Opposed Blade Damper

- The G1 OBD damper is designed for even distribution of air over the entire face of diffuser. It is gear operated & can be adjusted from below by means of key or screw driver. The damper can be set at fully open, half open & fully close.
- G1 damper are constructed of galvanized steel with baked black as standard finish.
- Height for G1-T: 60mm.
- Height for G1-A: 45mm.



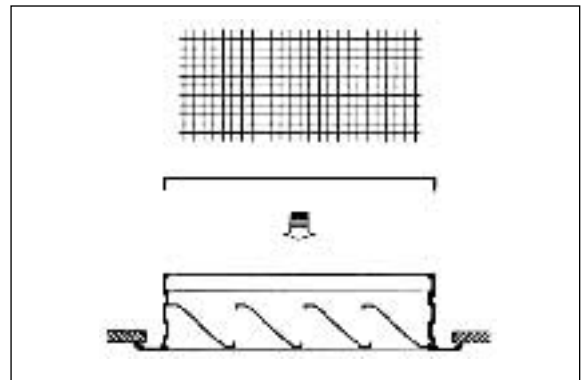
## Return Air Grille + D2 Square to Round Adapter

- With D2 square to round adapter fitted to the return air grilles it will enable easy installation of flexible duct.
- The D2 adapter are constructed of 0.6mm galvanized steel with baked black as standard finish.



## Return Air Grille + R6 Insect Netting

- The insect netting is constructed of wire mesh of gauge 12 installed at the grille.
- R6 insect netting prevent scraps, debris and small animals from being sucked into the air duct.
- Three types of nettings: 1/4", 3/8", 1/2".



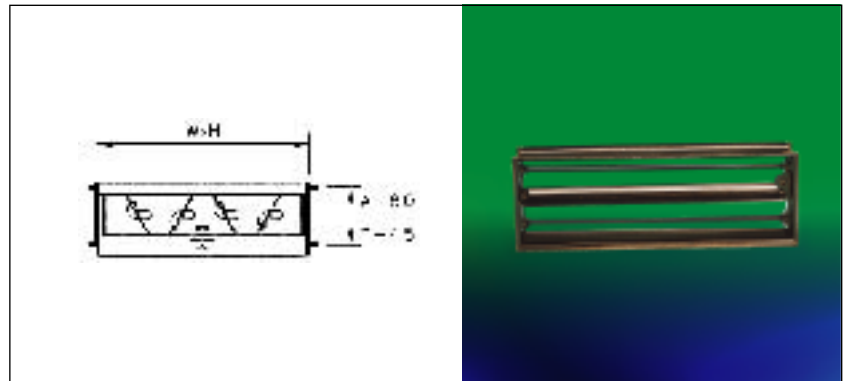
## G1 Opposed Blade Damper

### Materials

- G1-T: Frame 0.6mm SPGC galvanized steel.  
Blade 0.5mm SPGC galvanized steel.
- G1-A: Extruded aluminium A6063.

### Surface Finish

- G1-T Matt black as standard.
- G1-A Natural anodized.
- Maximum dimension is 500mm x 500mm damper size bigger than this will come in sections.
- Gear operated, can be set at fully open, half open and fully close.



## D2 Square to Round Adapter

### Materials

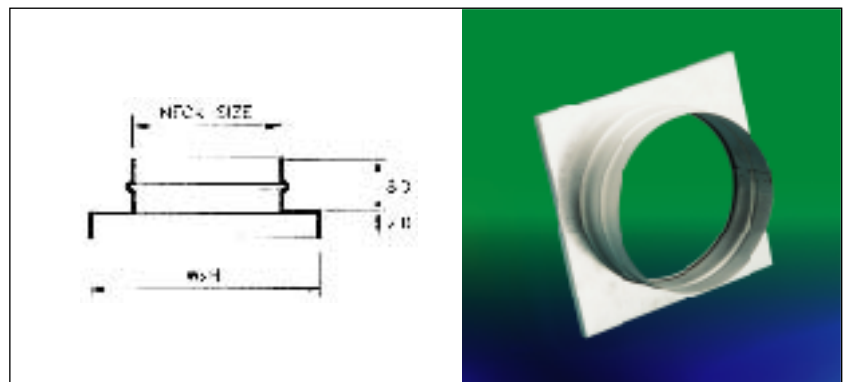
- D2-T: 0.6mm SPGC galvanized steel.
- D2-P: ABS plastic.

### Surface Finish

- Baked black.

### Standard Sizes

- D2-T: Made to suit.
- D2-P: 200ø, 250ø, 300ø, 350ø.



## R6 Insect Netting

### Materials

- Frame 0.6mm SPGC galvanized steel.
- Gauge 12 wire mesh.
- Wire mesh grid: 1/4", 3/8", 1/2".
- With return air grille, R6 is fixed directly to the back of the grille.
- When R6 is installed at the air duct, a frame will be added.

