

RK & RKC Perforated Face Return Air Diffuser

Materials

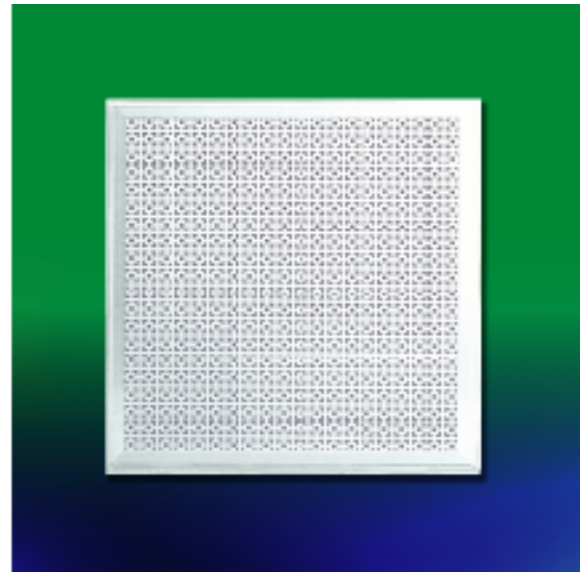
- Perforated face: 0.8mm SPGC galvanized steel.
- Diffuser frame: Extruded aluminum A6063.

Surface Finish

- Baked white powder coat standard.

Features

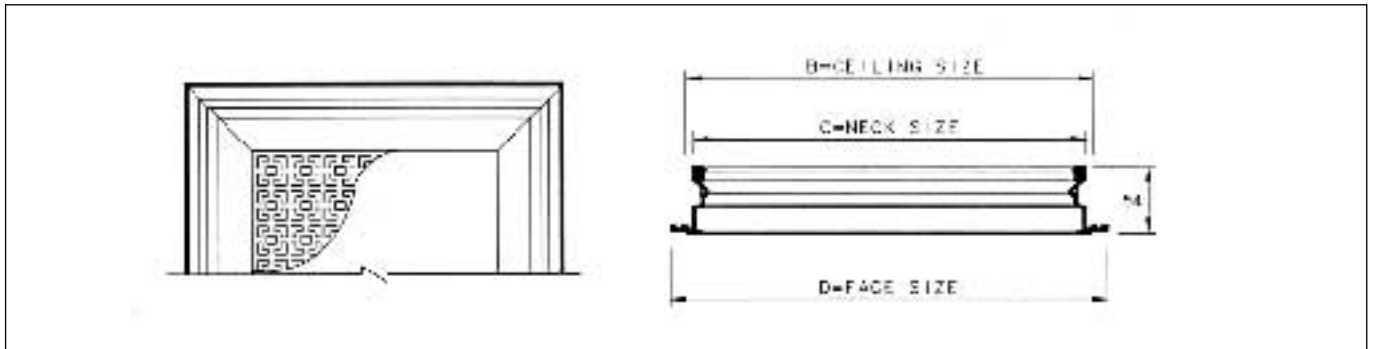
- Diffuser face is perforated.
- The perforated face is removable by unlocking the spring hatch.
- Face size for model RKC is 603mm x 603mm suitable for T-bar mounting.
- For ductwork connection, a square adapter or square to round adapter to the frame.



Accessories

- D2 Square to round adapter.

RK & RKC Construction Illustrations



RK Physical Dimension Unit:mm

C Neck Size	B Ceiling Size	D Face Size
W x H	W + 10 H + 10	W + 20 H + 20

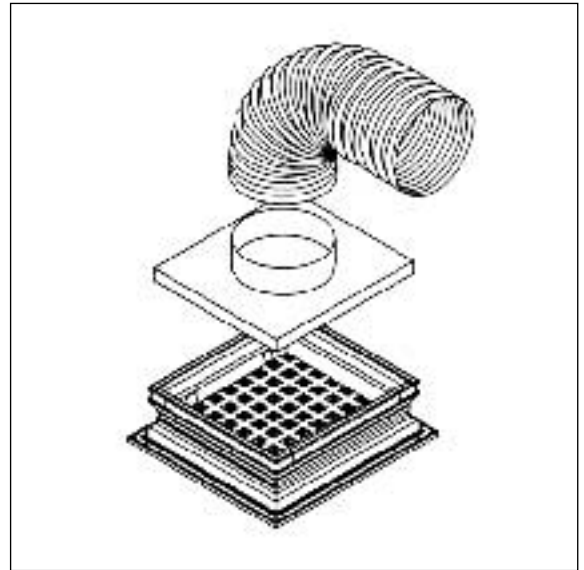
RKC Physical Dimension Unit:mm

C Neck Size	D Face Size
563 x 563	603 x 603

RK & RKC Perforated Face Return Air Diffuser

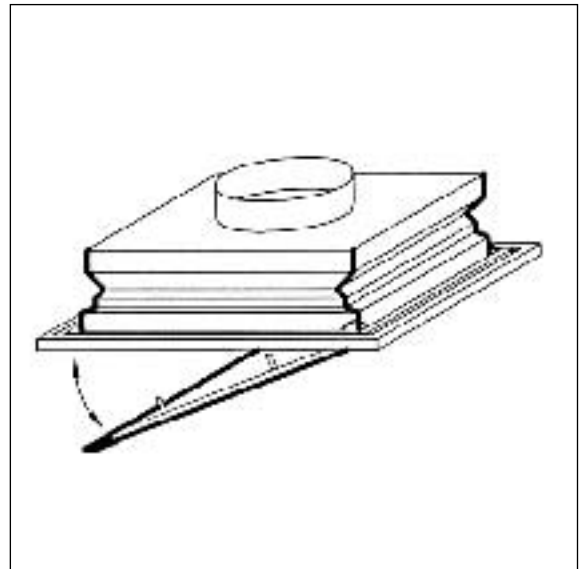
■ RK & RKC + D2 Square to Round Adapter

- With D2 square to round adapter fitted to the RK, RKC diffuser it will enable easy installation of flexible duct.
- The D2 adapters are constructed of 0.6mm galvanized steel with baked black as standard finish.



■ RK & RKC

- A layer of filter of thickness 6mm is on the perforated face of the diffuser.
- To clean the air filter, pull the perforated face downward & remove the air filter.



■ RK & RKC Performance Data

Neck Size mm Area m ²	Vel. M/S	2	2.5	3	3.5	4	4.5	5
	Vel. Press(mmAq)	0.25	0.4	0.55	0.75	1.0	1.25	1.55
	Neg. SP.(mmAq)	1.5	2.2	3.1	4.2	5.5	7.2	8.3
260 x 260 (0.0676)	CMH	486	608	730	852	973	1095	1217
	NC	-	-	-	24	28	32	34
360 x 360 (0.1296)	CMH	933	1166	1400	1633	1866	2100	2333
	NC	-	-	24	27	31	34	37
460 x 460 (0.2116)	CMH	1524	1904	2285	2666	3047	3428	3809
	NC	-	-	25	29	32	37	39
560 x 560 (0.3136)	CMH	2258	2822	3386	3951	4516	5080	5645
	NC	-	24	26	30	34	38	41

- NC value is based on room absorption of 10dB, re 10⁻¹² watts.
- Dash (-) in space indicates NC value less than 20.