

C1 Radial Fan Blade Damper

Materials

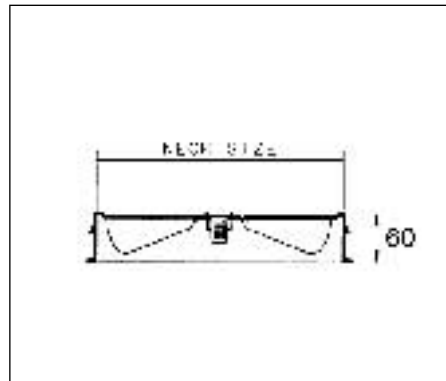
- 0.6mm SPGC galvanized steel.

Surface Finish

- Matt black.
- The products consists of a fan type radial opposed blade damper.

Standard Sizes

- 150ø, 200ø, 250ø, 300ø, 350ø (mm).



C3 Deflector Guide Vane

Materials

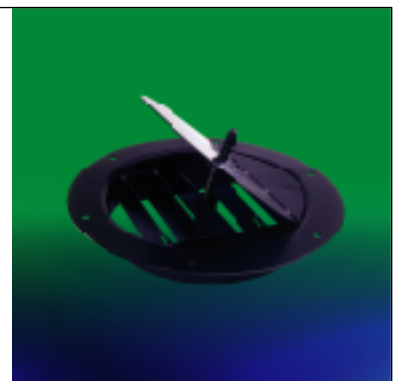
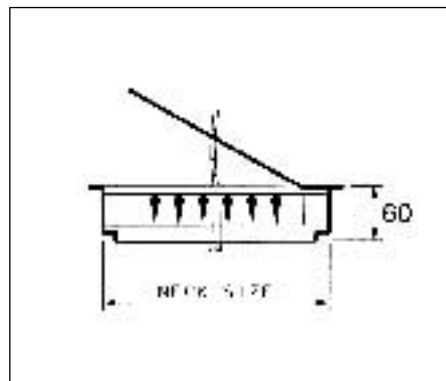
- 0.6mm SPGC galvanized steel.

Surface Finish

- Matt black.
- For volume control & air equalizing.

Standard Sizes

- 200ø, 250ø, 300ø, 350ø (mm).



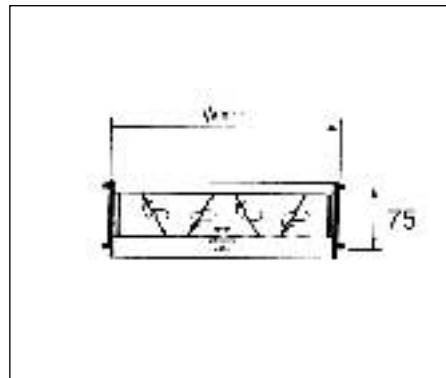
G1 Opposed Blade Damper

Materials

- G1-T: frame 0.6mm SPGC galvanized steel.
- Blade 0.5mm SPGC galvanized steel.

Surface Finish

- G1-T Matt black as standard.
- Maximum dimension is 500mm x 500mm damper size bigger than this will come in sections.
- Gear operated, can be set at fully open, half open & fully close.



D2 Square to Round Adapter

Materials

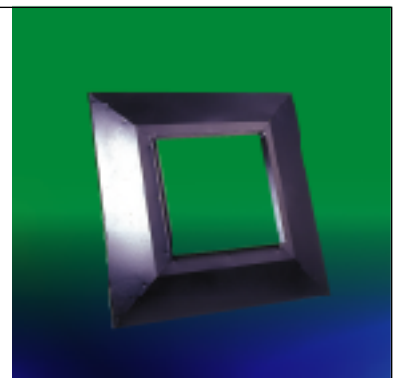
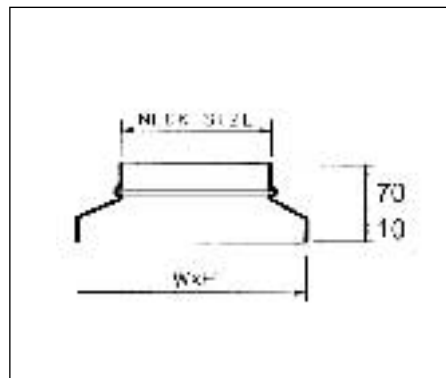
- D2-T: 0.6mm SPGC galvanized steel.

Surface Finish

- Matt black.

Standard Sizes

- D2-T: Made to suit.



C2 Crown Damper

Materials

- 0.6mm thickness galvanized steel.

Surface Finish

- Matt black.

Features

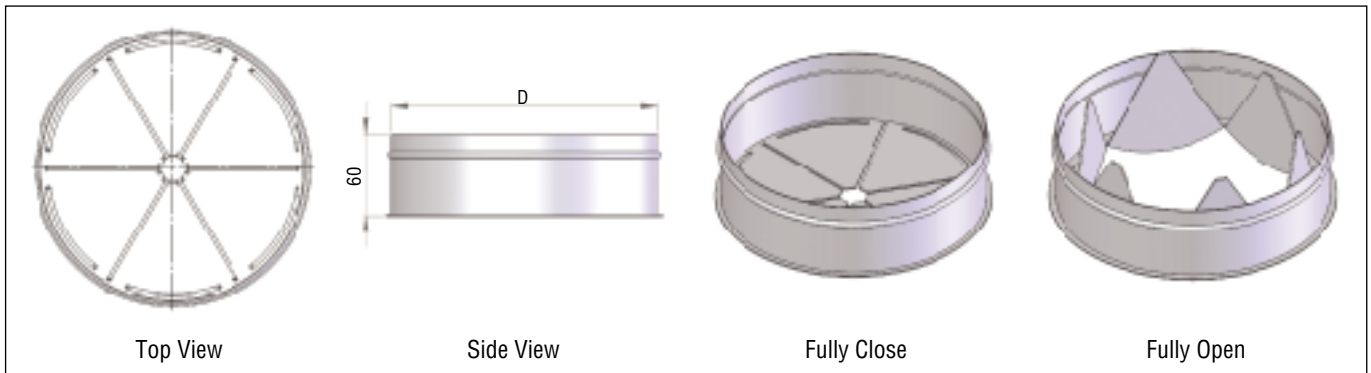
- Six blades can be adjusted to control the damper opening without using any tools.
- Maximum effective (free) area percentage.
- Low noise level.
- Uniform air flow pattern.
- Standard C2 installation has blades bending upwards, installation of C2 can be inverted upon request.

Standard Sizes

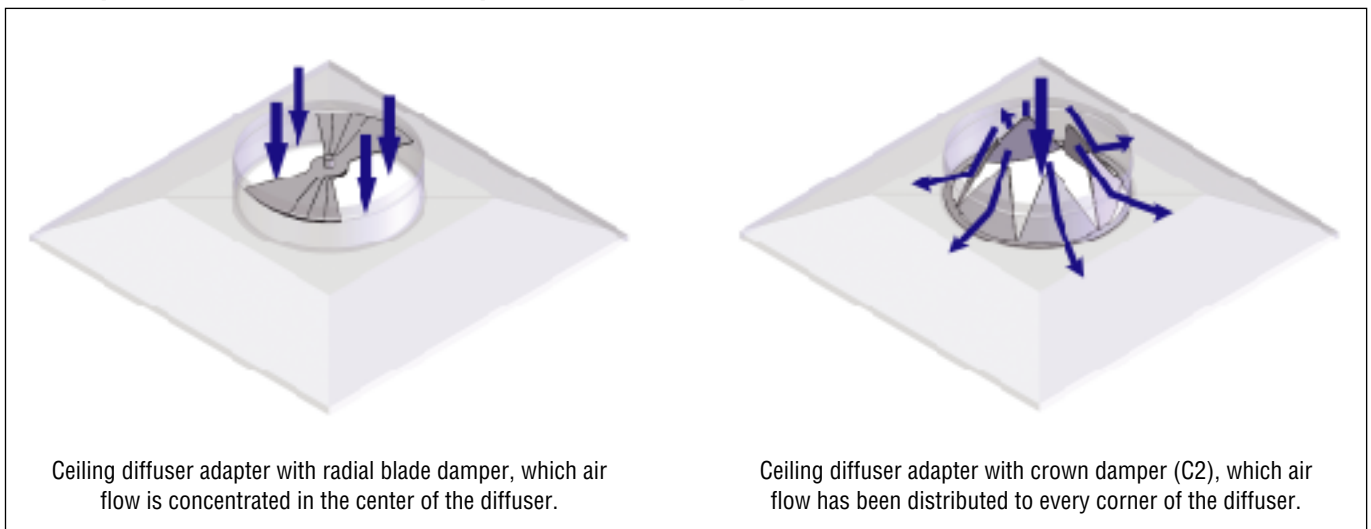
- 150 ϕ , 200 ϕ , 250 ϕ , 300 ϕ (mm)



Construction Illustrations



Comparison Of Radial Blade Damper And Crown Damper



Ceiling diffuser adapter with radial blade damper, which air flow is concentrated in the center of the diffuser.

Ceiling diffuser adapter with crown damper (C2), which air flow has been distributed to every corner of the diffuser.

Crown damper has more free area and distributes air more uniformly compare to radial blade damper. This is to ensure that the supplied air is distributed uniformly to the occupant zone and reduces noise level at the same time. Please refer to the diagrams above.

Recommended Noise Criteria for Rooms (3)

Type of Area	Range of NC Criteria Curves	Type of Area	Range of NC Criteria Curves
RESIDENCES Private homes (rural and suburban) Private homes (urban) Apartment houses, 2-and 3-family units	20-30 25-35 30-40	CHURCHES AND SCHOOLS Sanctuaries Libraries Schools and classrooms Laboratories Recreation halls Corridors and halls Kitchens	20-30 30-40 30-40 35-45 35-50 35-50 40-50
HOTELS Individual rooms or suites Ballrooms, banquet rooms Halls and corridors, lobbies Garages Kitchens and laundries	30-40 30-40 35-45 40-50 40-50	PUBLIC BUILDINGS Public libraries, museums, court rooms Post office, general banking areas, lobbies Washrooms and toilets	30-40 35-45 40-50
HOSPITALS AND CLINICS Private rooms Operating rooms, wards Laboratories, halls and corridors Lobbies and waiting rooms Washrooms and toilets	25-35 30-40 35-45 40-50	RESTAURANTS, CAFETERIAS, LOUNGES Restaurants Cocktail lounges Night clubs Cafeterias	35-45 35-50 35-45 40-50
OFFICES Board room Conference rooms Executive office Supervisor office, reception room General open offices, drafting rooms Halls and corridors Tabulation and computation	20-30 25-35 30-40 30-45 35-45 35-50 40-60 40-50	STORES, RETAIL Clothing stores Department stores (upper floors) Department stores (main floor) Small retail stores Supermarkets	35-45 40-50 40-50
AUDITORIUMS AND MUSIC HALLS Concert and opera halls Studios for sound reproduction Legitimate theaters, multi-purpose halls Movie theaters, TV audience studios Semi-outdoor amphitheaters Lecture halls, planetarium Lobbies	15-25 25-30 30-35 35-45	SPORTS ACTIVITIES, INDOOR Coliseums Bowling alleys, gymnasiums Swimming pools	30-40 35-45 35-45
		TRANSPORTATION (RAIL, BUS, PLANE) Ticket sales offices Lounges and waiting rooms	30-40 35-50