

CP Plate Type Round Diffuser

Materials

- CP-T: 0.8mm galvanized steel.

Surface Finish

- CP-T: white powder coat, oven baked as standard.

Accessories

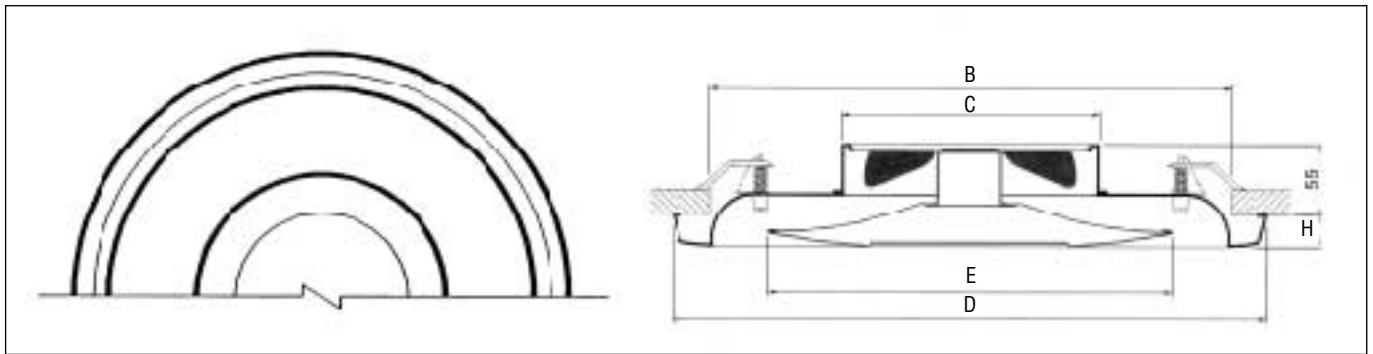
- C3 Deflector guide vane.
- C3 Deflector guide vane can be connected to the round neck of CP-A.

Standard Sizes

- 150ø, 200ø, 250ø, 300ø(mm)



CP Construction Illustrations



CP Physical Dimension Unit:mm

Model	C	B	D	E	H	
					min	max
150	150	310	335	200	21	37
200	200	410	460	310	28	44
250	250	410	460	310	28	44
300	300	410	460	310	28	44

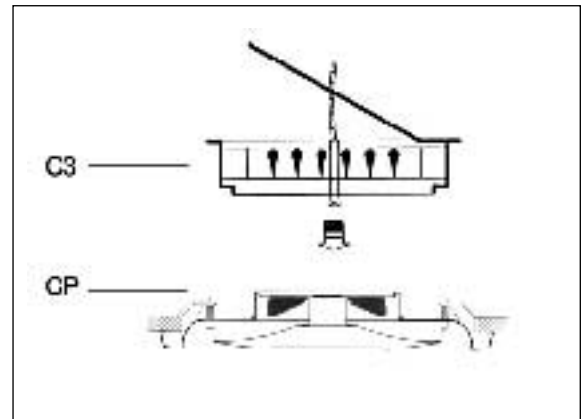
CP Product Specification Unit:mm

Model	Materials	Surface Finish	Standard Sizes	Accessories	Order Key
CP-T	0.8 Galvanized Steel	White Powder Coat, Oven Baked	150ø 200ø 250ø 300ø	C3 Deflector Guide Vane	$\frac{CP}{\text{Model}} - \frac{A}{\text{Materials}} + \frac{C1}{\text{Accessories}} - \frac{250}{\text{Neck Size}}$

CP Plate Type Round Diffuser

■ CP + C3 Deflector Guide Vane

- C3 deflector guide vane consists of a splitter damper & equalizing deflector & thus serve as even air distribution & volume control.
- Constructed of 0.6mm galvanized steel & matt black as standard finish.



■ CP Performance Data

Neck Size mm Neck Area m ²	Neck Vel. (m/s)	2	3	4	5	6	7	8
150 (0.0182)	CMH	130	196	262	328	393	460	525
	Tot. Press(mmAq)	1.3	1.8	3.1	4.5	6.8	9.1	11.5
	Throw(M)	2.4 - 3.1	3.7 - 5.1	4.8 - 6.8	6.0 - 8.5	7.0 - 10.0	8.6 - 11.8	9.9 - 13.5
	NC	-	-	22	29	32	36	41
200 (0.0324)	CMH	233	350	467	583	700	816	933
	Tot. Press(mmAq)	1.2	1.5	2.6	3.9	5.5	7.8	10.2
	Throw(M)	3.6 - 5.0	4.7 - 6.8	6.5 - 9.1	8.0 - 11.2	9.5 - 13.5	11.2 - 15.9	13.0 - 18.2
	NC	-	-	21	27	32	36	40
250 (0.0507)	CMH	365	548	730	913	1095	1280	1460
	Tot. Press(mmAq)	1.2	1.5	2.5	3.6	5.2	7.2	9.4
	Throw(M)	4.8 - 6.8	6.0 - 8.5	8.0 - 11.4	10.2 - 14.1	12.2 - 17.2	14.2 - 19.1	16.1 - 22.0
	NC	-	-	-	25	31	35	39
300 (0.0731)	CMH	526	790	1052	1315	1580	1842	2105
	Tot. Press(mmAq)	1.1	1.4	2.3	3.4	5.1	6.8	9.0
	Throw(M)	6.0 - 8.2	7.2 - 10.2	9.7 - 13.5	12.2 - 17.1	14.5 - 20.1	17.0 - 24.0	19.2 - 26.8
	NC	-	-	-	24	30	34	38

- Throw is based on terminal velocities of 0.5 m/s-0.25 m/s respectively.
- NC value is based on a room absorption of 8 dB, re 10⁻¹² watts.
- Dash (-) in space indicates NC value less than 20.